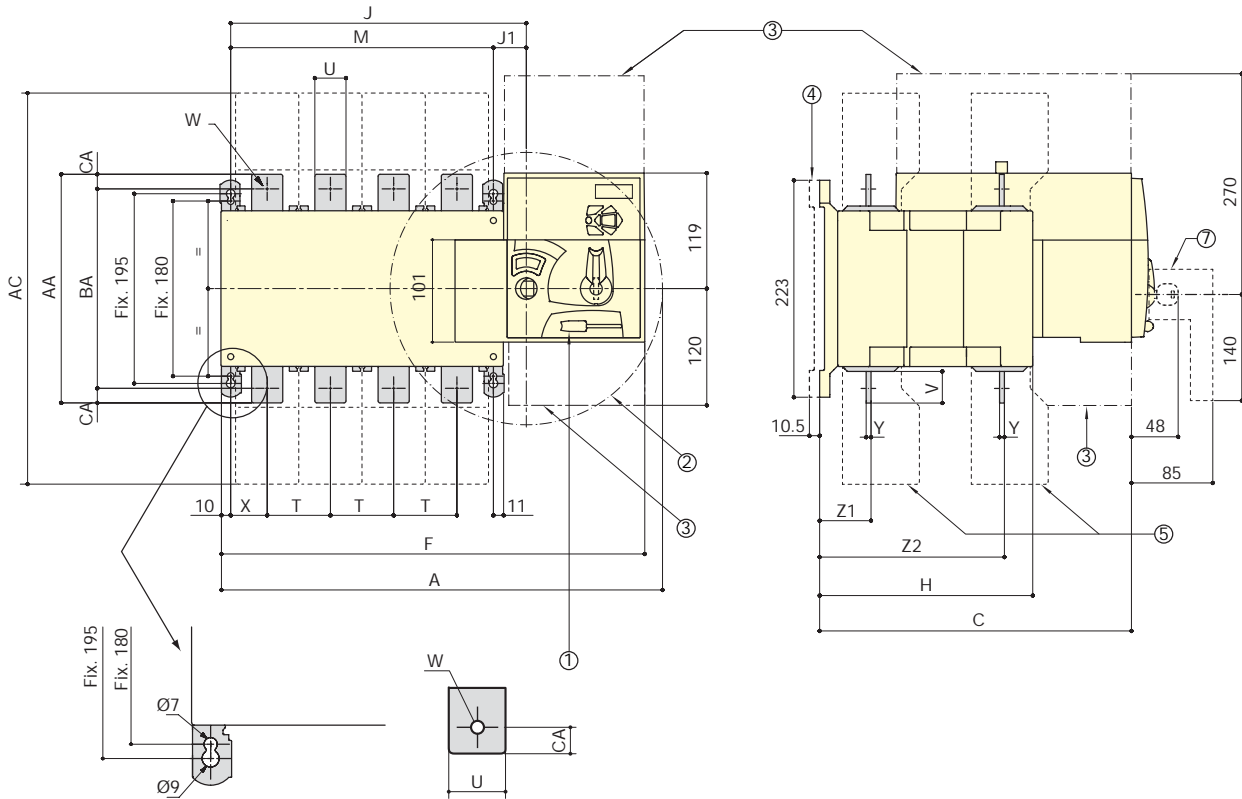


# ATyS 3 and 6 dimensions

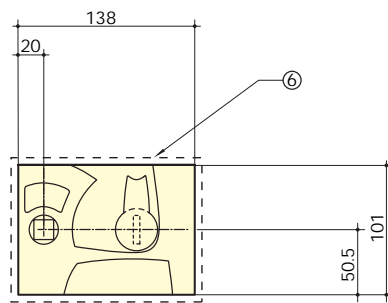
## 125 to 1800 A

ATyS 3: see page A.132  
 ATyS 6: see page A.138  
 ATyS 3 and 6 accessories  
 ▶ **ATyS 3 and 6 dimensions**  
 ATyS C30 Control relay  
 ATyS C40 Control relay  
 ATyS VISION software

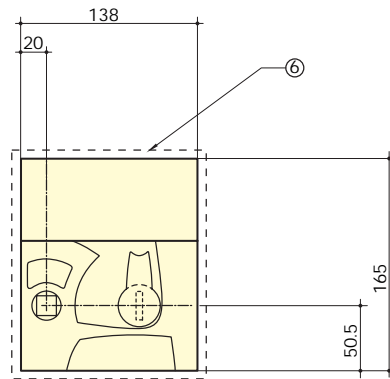
• 125 to 630



• ATyS 3s



• ATyS 3e, 6e, 6m



ATyS\_018\_d1\_LX.pdf

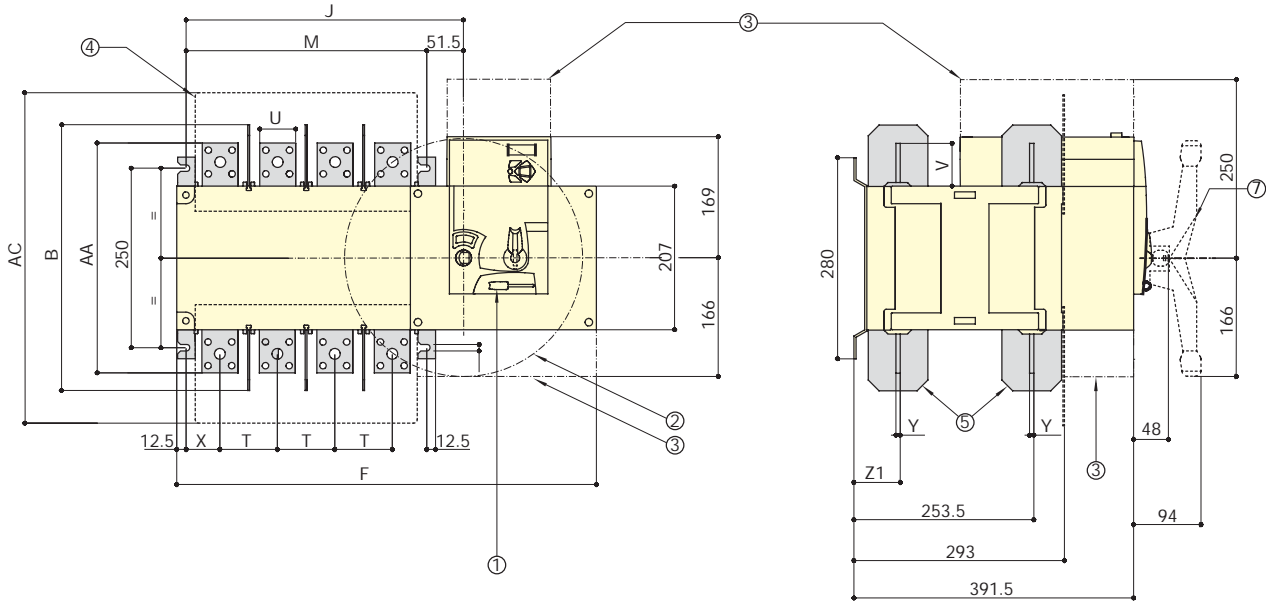
1. Locking bracket with 3 padlocks max.
2. Maximum handle radius, operating angle 2 x 90°.
3. Connection and disconnection area.
4. Stand off with mounting spacer accessory.

5. Terminal shrouds.
6. Cut out dimension.
7. Handle.

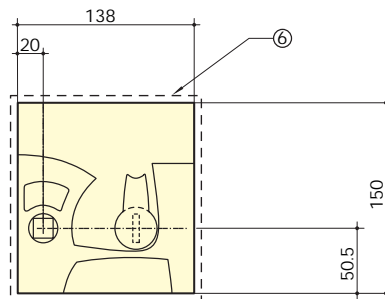
Rating (A)	Overall dimensions			Terminal shrouds		Switch body					Switch mounting		Connection terminals											
	A 3p.	A 4p.	C	AC	F 3p.	F 4p.	H	J 3p.	J 4p.	J1	M 3p.	M 4p.	T	U	V	W	X 3p.	X 4p.	Y	Z1	Z2	AA	BA	CA
125	304	340	244	235	286.5	322.5	151	154	184	34	120	150	36	20	25	9	28	22	3.5	38	134	135	115	10
160	304	340	244	235	286.5	322.5	151	154	184	34	120	150	36	20	25	9	28	22	3.5	38	134	135	115	10
250	345	395	244.5	280	328	378	153	195	245	35	160	210	50	25	30	11	33	33	3.5	39.5	134.5	160	130	15
400	345	395	244.5	280	328	378	153	195	245	35	160	210	50	35	35	11	33	33	3.5	39.5	134.5	170	140	15
630	394	459	320.5	400	377	437	221	244	304	34	210	270	65	45	50	13	42.5	37.5	5	53	190	260	220	20



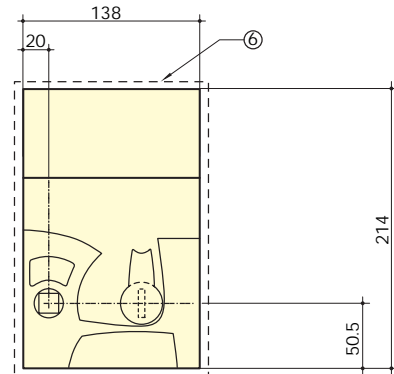
• 800 to 1800 A



• ATyS 3s



• ATyS 3e, 6e, 6m

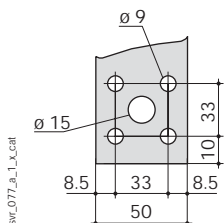


1. Locking bracket with 3 padlocks max.
2. Maximum handle radius, operating angle 2 x 90°.
3. Connection and disconnection area.
4. Terminal screens.
5. Phase barrier shield.
6. Cut out dimension.
7. Handle.

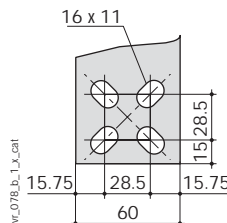
Rating (A)	Overall dimensions		Terminal shrouds		Switch body				Switch mounting		Connection terminals					
	B	AC	F 3p.	F 4p.	J 3p.	J 4p.	M 3p.	M 4p.	T	U	V	X	Y	Z1	AA	
800	370	461	504	584	306.5	386.5	255	335	80	50	60.5	60	7	66.5	321	
1000	370	461	504	584	306.5	386.5	255	335	80	50	60.5	60	7	66.5	321	
1250	370	461	504	584	306.5	386.5	255	335	80	60	65	60	7	66.5	330	
1600	380	481	596	716	398.5	518.5	347	467	120	90	44	66	8	67.5	288	
1800	380	481	596	716	398.5	518.5	347	467	120	90	44	66	8	67.5	288	

► Connection terminals

• 800 to 1000 A



• 1250 A



• 1600 to 1800 A

